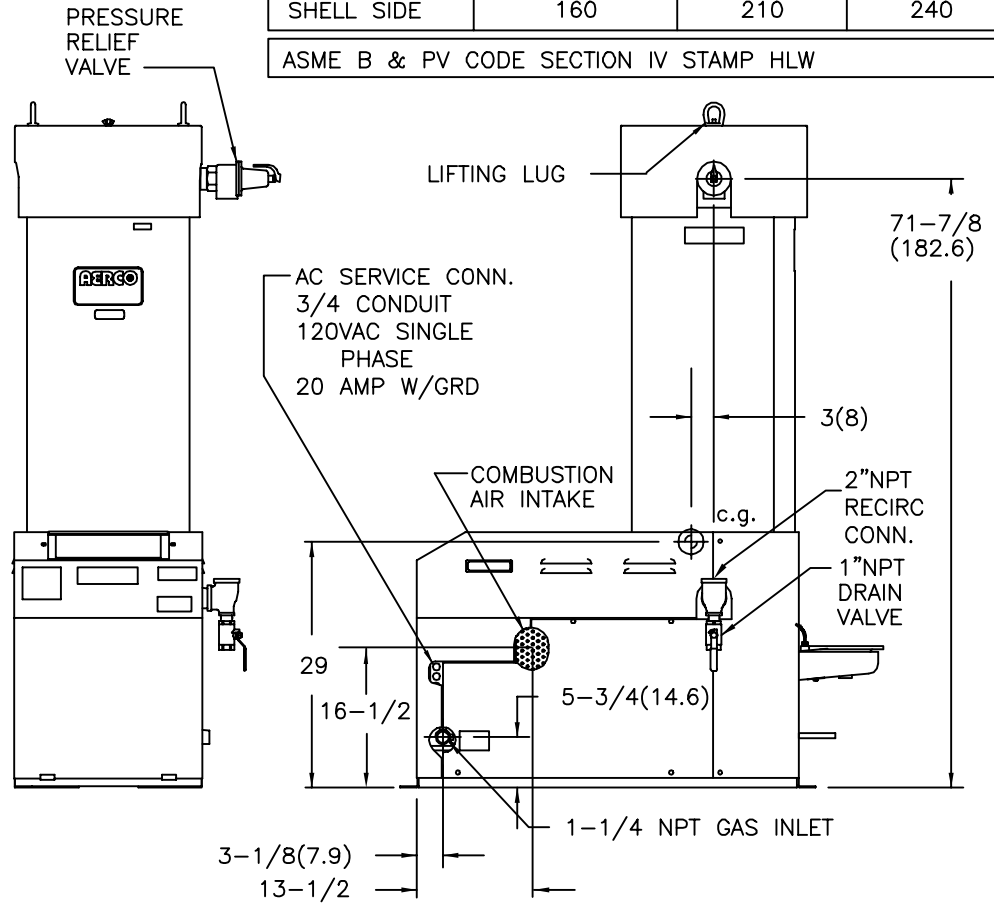
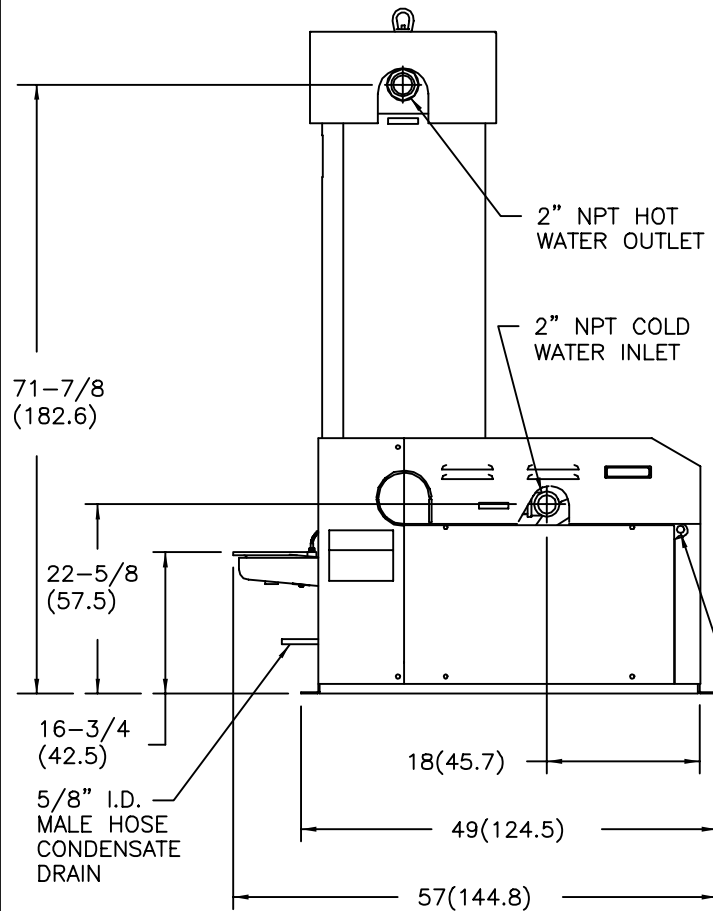


MATERIALS OF CONSTRUCTION			
PRESSURE VESSEL	1/4" CARBON STEEL SHELL, SA-53, GRADE B 1-1/4" CARBON STEEL HEAD, SA-515/516 GR.70		
COMBUSTION CHAMBER	CU-NI HELICAL TUBE, SB-111, CDA-C70600 CU-NI UPPER HEAD, SB-171, CDA-706 CU-NI TUBESHEET, SB-171, CDA-706 1/4" WALL CU-NI WELDED TUBE SB-171, CDA-706		
HEAT EXCHANGER DESIGN STANDARDS			
	MAX. WORKING PRESS. (PSIG)	MAXIMUM TEMP. (°F)	TEST PRESS. (PSIG)
SHELL SIDE	160	210	240
ASME B & PV CODE SECTION IV STAMP HLW			



REMOTE ALARM & CONTROL CONNECTION - 3/4 CONDUIT

AERCO INTERNATIONAL, INC.
NORTHVALE, NJ 07647

KC1000 1 MIL. BTU
GAS FIRED WATER HEATER
DIMENSIONAL DRAWING

DWN. BY <u>SCD</u> DATE <u>120798</u>	AP-A-576	REV. C
SCALE <u>1:24</u>		
APPD. <u>MPC</u> DATE <u>122298</u>		

- NOTES:
- 1) ALL DIMENSIONS SHOWN ARE IN INCHES (CENTIMETERS)
 - 2) DRAIN VALVE & RELIEF VALVE ARE INCLUDED SEPARATELY IN SHIPMENT