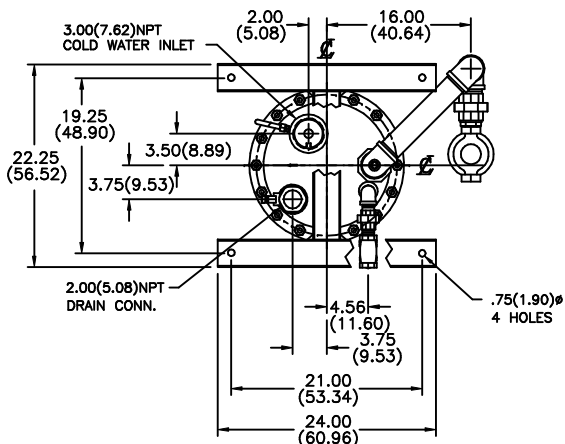
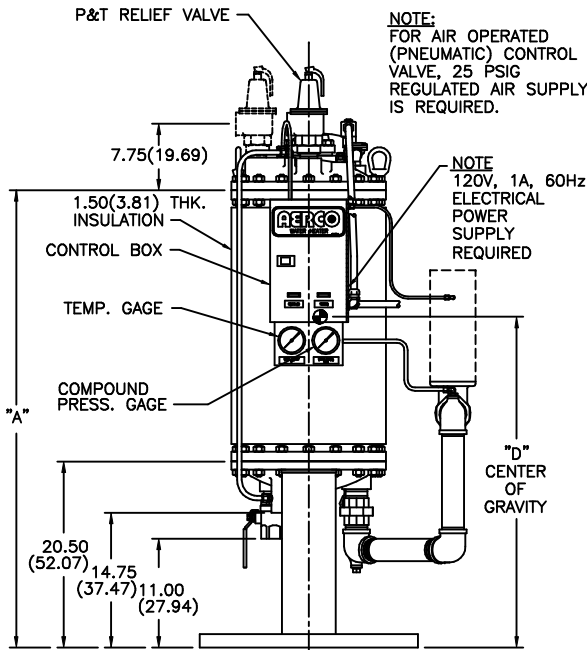
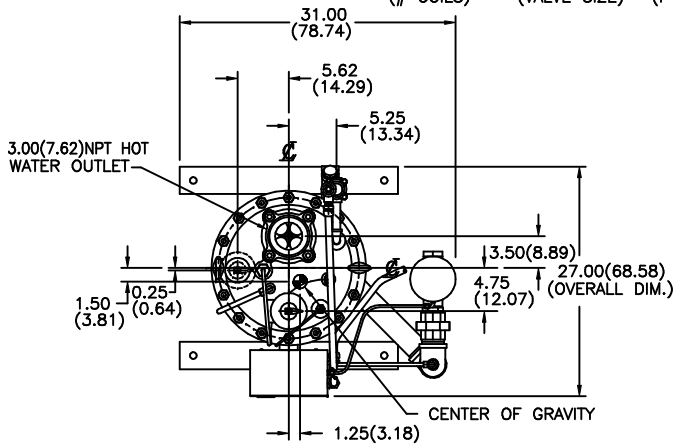


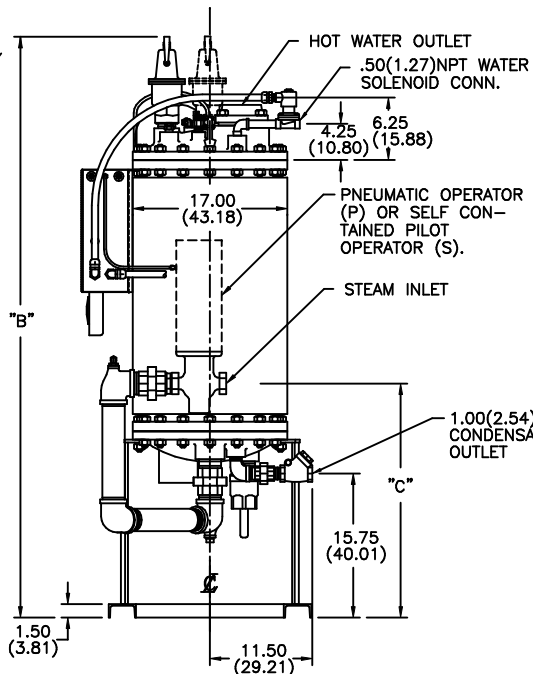
WATERWIZARD MODEL B+ / /



DIMENSIONS SHOWN ARE IN INCHES.
DIMENSIONS IN () ARE IN CENTIMETERS.

MATERIALS OF CONSTRUCTION	
SHELL	3/16"(0.48) SA53 GRD(B)(ERW) CARB. ST.
LINER	COPPER, ASTM B-370 ALLOY 122
HEADS	BRONZE, SB-62
COILS	COPPER, 0.049"(0.12) WALL, SB-111 ALLOY 122
	LIGHT DRAWN
RISER	RED BRASS, SB-43

HEAT EXCHANGER DESIGN STANDARDS			
	MAX. WORKING PRESS., PSIG(kPa)	MAX. TEMP. °F(°C)	TEST PRESS., PSIG(kPa)
SHELL SIDE	235(1619)	400(204)	355(2446)
TUBE SIDE	250(1723)	400(204)	375(2584)
ASME B&PV CODE SEC. VIII, DIV.1			STAMP U
RELIEF VALVES SET AT °F, PSI			
OPERATING CONDITIONS			
WATER	CAPACITY, GPM(L/S)	IN/OUT TEMP., °F(°C)	
STEAM	FLOW LB/HR (Kg/S)	PRESSURE TO VALVE PSIG(kPa)	
CONTROL VALVE SIZE			°C DIMENSION
1"(2.54) SCREWED END			IN. (CM.)
1-1/4"(3.18) SCREWED END			26.00(66.00)
1-1/2"(3.81) SCREWED END			26.00(66.00)
2"(5.08) SCREWED END			26.00(66.00)
2-1/2"(6.35) 150# ANSI FLANGED END			31.00(78.74)
3"(7.62) 150# ANSI FLANGED END			31.00(78.74)
4"(10.16) 150# ANSI FLANGED END			31.00(78.84)



HEATER MODEL	NO. OF COILS	HEATING SURF. SQ.FT.(SQ.M.)	DIM. IN.(CM)			WT. LBS.(Kg)	
			"A"	"B"	"D"	DRY	WET
B+03	3	15 (1.39)	41.38 (105.11)	55.00 (139.70)	27.38 (69.55)	460 (209)	600 (272)
B+04	4	20 (1.85)	50.38 (127.97)	64.00 (162.58)	31.88 (80.98)	535 (243)	700 (318)
B+05	5	25 (2.32)	50.38 (127.97)	64.00 (162.58)	31.88 (80.98)	550 (250)	710 (322)
B+06	6	30 (2.78)	59.38 (150.83)	73.00 (185.42)	36.38 (92.41)	595 (270)	810 (368)
B+07	7	35 (3.25)	59.38 (150.83)	73.00 (185.42)	36.38 (92.41)	610 (277)	820 (372)
B+08	8	40 (3.71)	68.38 (173.69)	82.00 (208.28)	40.88 (103.84)	665 (302)	910 (413)
B+09	9	45 (4.18)	68.38 (173.69)	82.00 (208.28)	40.88 (103.84)	680 (309)	920 (418)
B+10	10	50 (4.63)	77.38 (196.55)	91.00 (231.14)	45.38 (115.27)	725 (329)	1010 (459)
B+11	11	55 (5.11)	77.38 (196.55)	91.00 (231.14)	45.38 (115.27)	740 (336)	1020 (463)
B+12	12	60 (5.56)	86.38 (219.41)	100.00 (254.00)	49.88 (126.70)	795 (361)	1110 (504)
B+13	13	65 (6.04)	86.38 (219.41)	100.00 (254.00)	49.88 (126.70)	810 (368)	1120 (508)
B+14	14	70 (6.49)	95.38 (242.27)	109.00 (276.88)	54.38 (138.13)	855 (388)	1210 (550)
B+15	15	75 (6.97)	95.38 (242.27)	109.00 (276.88)	54.38 (138.13)	870 (395)	1220 (554)

NOTE: CENTER OF GRAVITY IS WITHOUT VALVE LINE.

AERCO INTERNATIONAL, INC.
NORTHVALE, NJ 07647

WATERWIZARD B-II WATER HEATER
PACKAGED WITH CONTROL VALVE

DWN. BY PK. DATE 012094
SCALE _____ SIZE _____
CHKD. _____ APPD. _____

AP-B-706

REV. A