

DWG. NO.		SH	REV.	1
REVISITONS				
ZONE	REV.	DESCRIPTION	DATE	APPROVED

FIG. 1

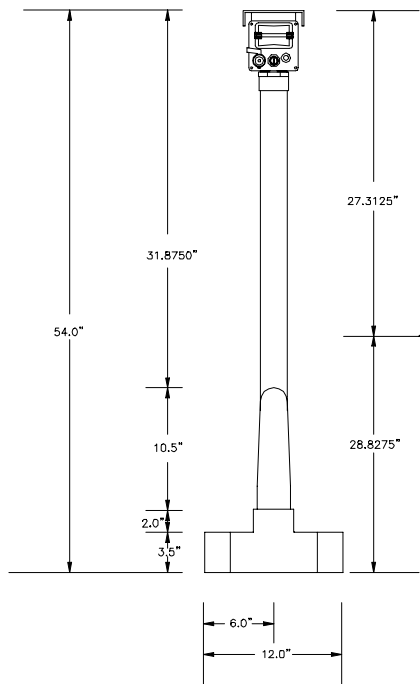
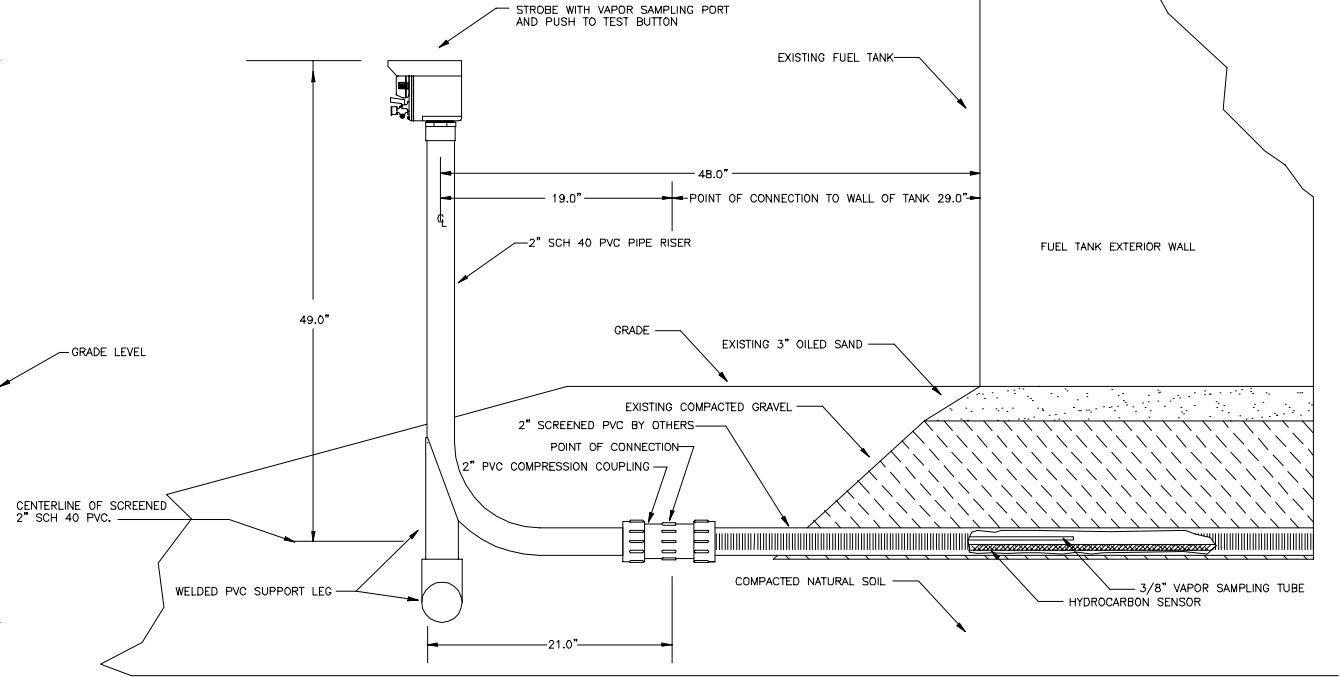


FIG. 2



UNLESS OTHERWISE SPECIFIED DIMENSIONS ARE IN INCHES		CONTRACT NO.		PARTS LIST	
TOLERANCES ARE:		APPROVALS		DATE	
FRACTIONS .XXX ±		DRAWN			
DECIMALS .000 ±		CHECKED			
ANGLES ±		ISSUED			
MATERIAL		SIZE / T/SCH. NO.		DWG. NO.	
FINISH		SCALE		SHEET	
NEXT ASSY USED IN		APPLICATION		DID NOT SCALE DRAWING	

SensorComm, Inc.  
MANUFACTURING, INC.

